



Features:

- High sound pressure level
- Weather-proof
- Low-distortion sound

Description

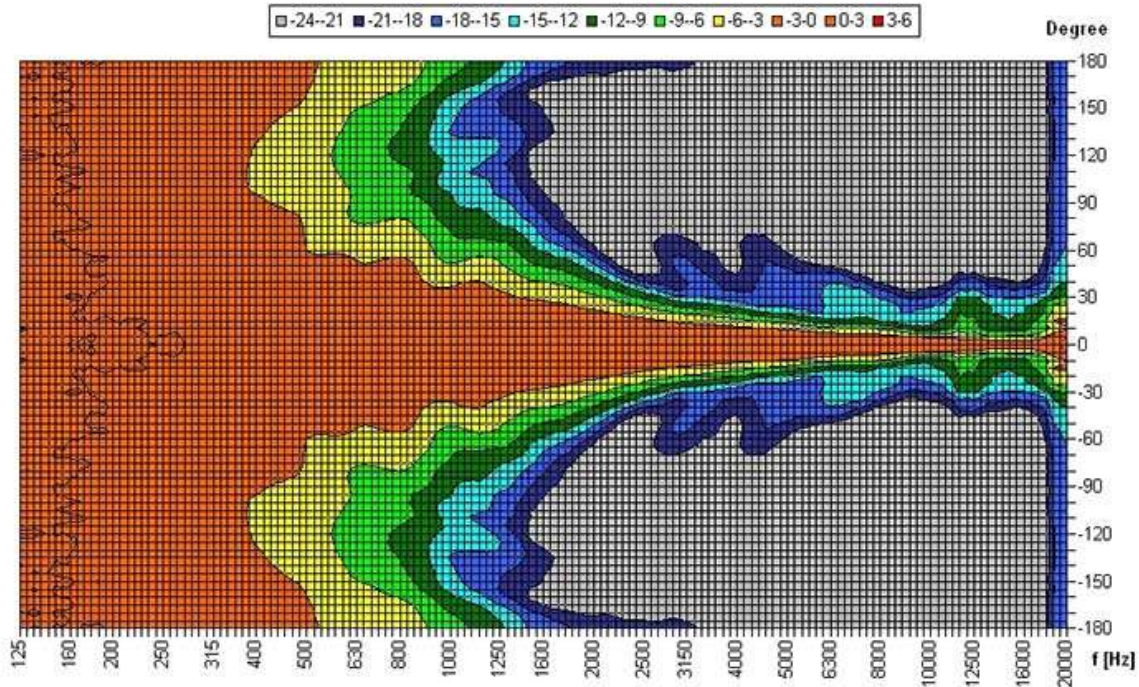
The 30W powered speaker is equipped with a 100V line transformer with 4 power adjustments, also low-impedance operation (20ohm) is possible. The power adjustment is easily done by turning the screw on the back of the speaker. The impact-resistant ABS housing UI94V0 in RAL 7035 guarantees long-term stability.

The speaker is secured with the high protection class IP 66 against the security risks of environmental influences. Included is a U-shaped, stainless steel universal mount for flexible installation. The speaker is connected by a 2-pin connection cable with 1 meter length.

Optionally available is a mast bracket (MB) for about 200mm mast diameter.

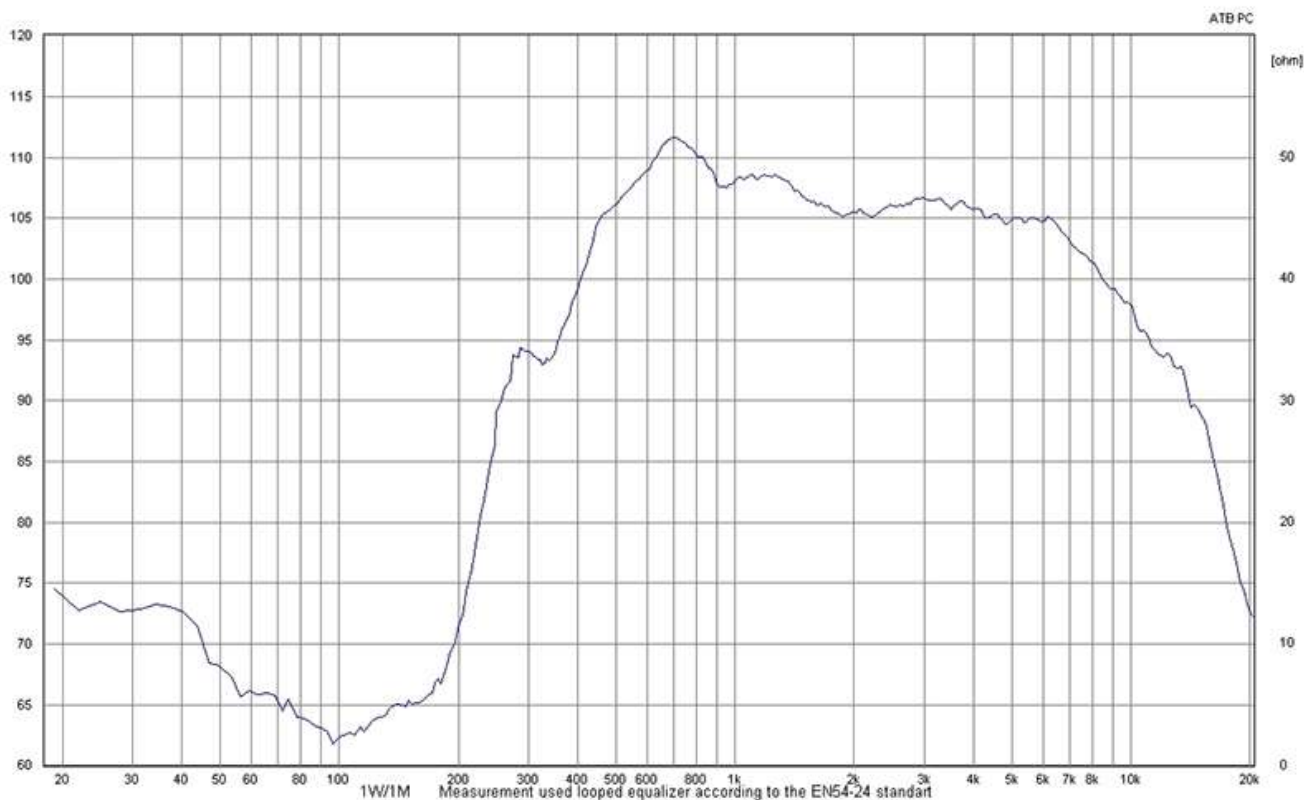
Polar Diagrams

Copyright by Four-Audio GmbH & Co KG Licensed to AAC

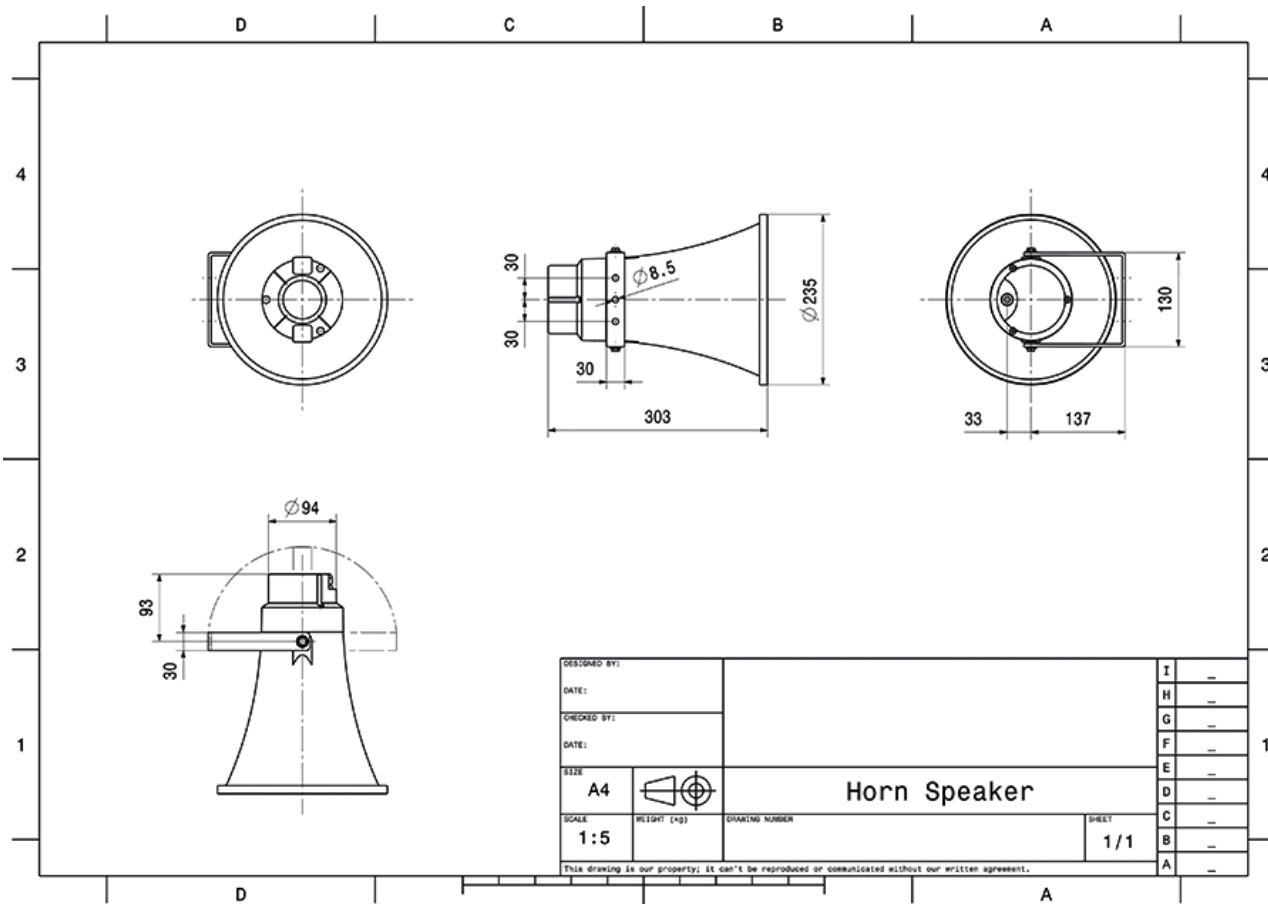


Parameters: Cyclic Move: 0° ; Symmetry: average sym ; Freq.Smooth: 1/3 Oct ; Ang.Resol.: 5° ; Rel. to: 0° Axis 0°

Frequency Response Diagrams



Technical Diagrams



Electrical specifications

| | |
|-----------------------------|-----------------------|
| Description | HS-P-30W |
| Power | 30/20/10/5 (20) W |
| Impedance (100V) | 333/500/1000/2000 ohm |
| Frequency Range | 592 - 6.900 Hz |
| Frequency Response | 250 - 15.000 Hz |
| SPL, rated noise power / 4m | 96,0 dB |
| SPL 1w1m peak | 110,1 dB |
| SPL pmax4m peak | 112,8 dB |
| Dispersion -6dB, 500Hz | h/v 155° |
| Dispersion -6dB, 1KHz | h/v 110° |
| Dispersion -6dB, 2KHz | h/v 65° |
| Dispersion -6dB, 4KHz | h/v 35° |

Please note: Because of many different types of ceiling materials and ceiling strengths we recommend to build in a sample of the speaker to match the requirements accurately.

Mechanical specifications

| | |
|-------------------------------|--------------------|
| Dimensions | 235x351 mm |
| Weight (net) | 2,27 kg |
| Temperature range | -25 / +70 C° |
| Mounting | Mounting bracket |
| Connector | ceramic block |
| Maximum cable cross section | 8mm ² |
| Max. cable cross section loop | 2x2mm ² |
| Colour | RAL 7035 |