



Features:

- High sound pressure level
- Low mounting depth

Description

The 10W powered speaker is equipped with a 165mm full-range loudspeaker chassis and a 100V transformer with 3 power adjustments. The powder coated metal similar in RAL 9016 guarantees long-term stability. Quick and easy mounting with spring clamps and short tension distance. The speaker is connected by a 4-pin screw terminal.

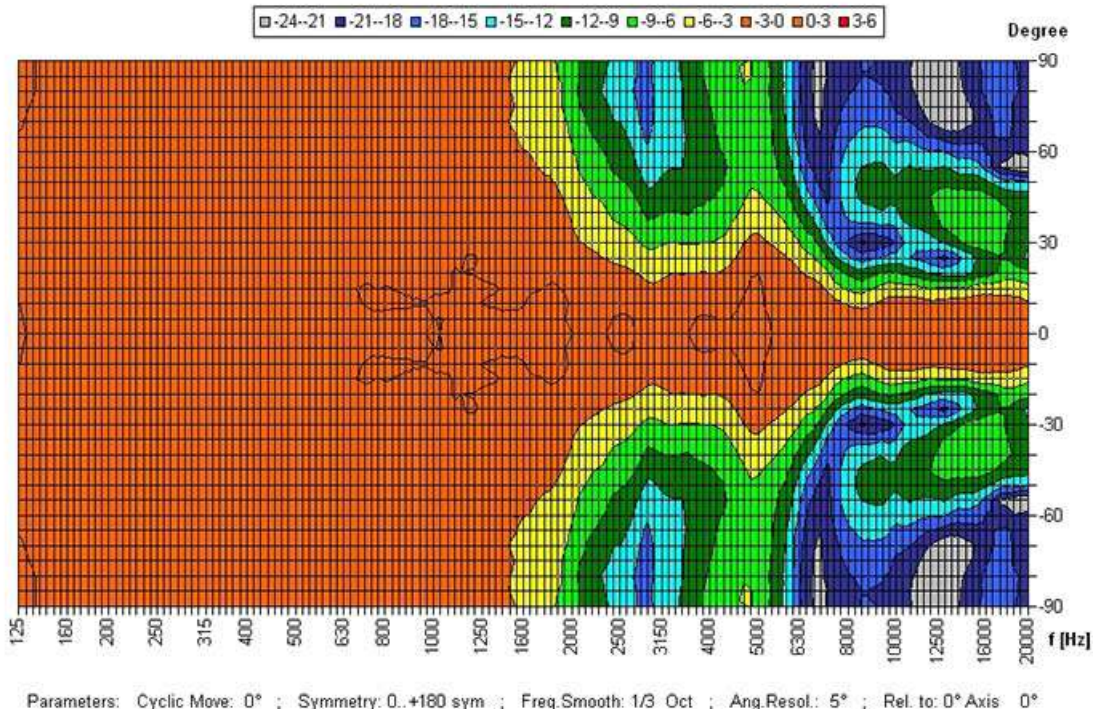
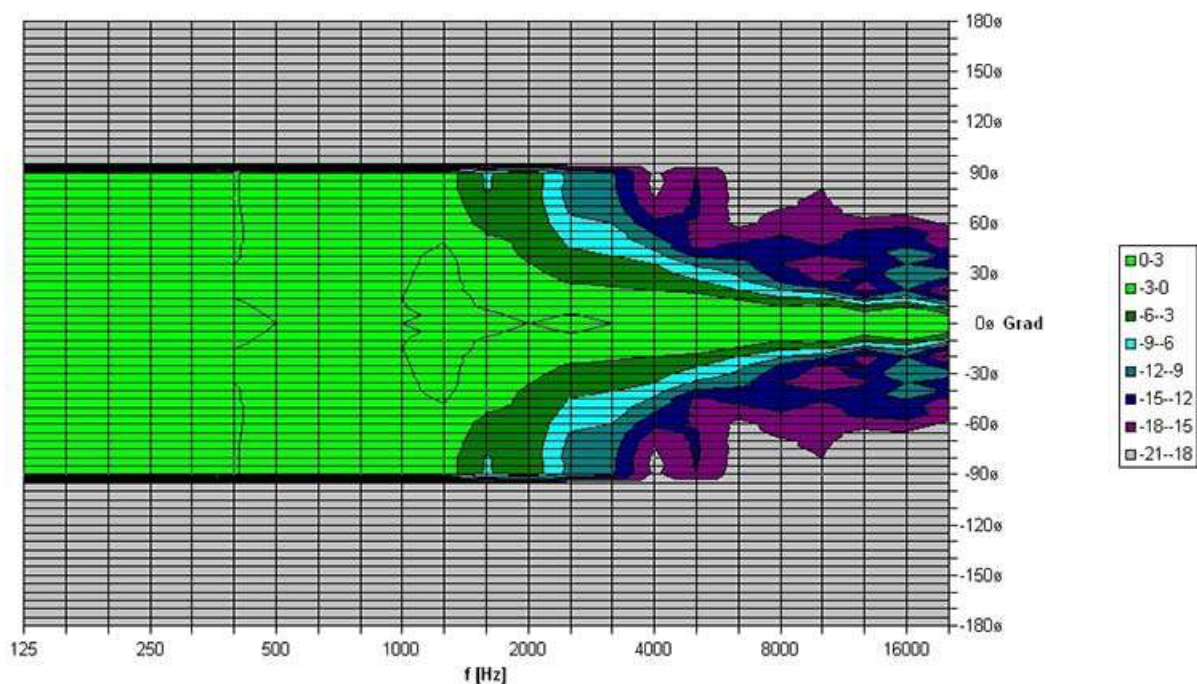
Special paint of the speaker in 4-digit RAL- or NCS-colour available at extra cost.

This speaker is suitable for a ceiling strength of about 2 – 42 mm. Our specification is primarily related to solid ceilings, for ceilings with soft materials a higher ceiling thicknesses could be necessary. In addition, stronger cables and other fittings may also result in changes of the appropriate setup.

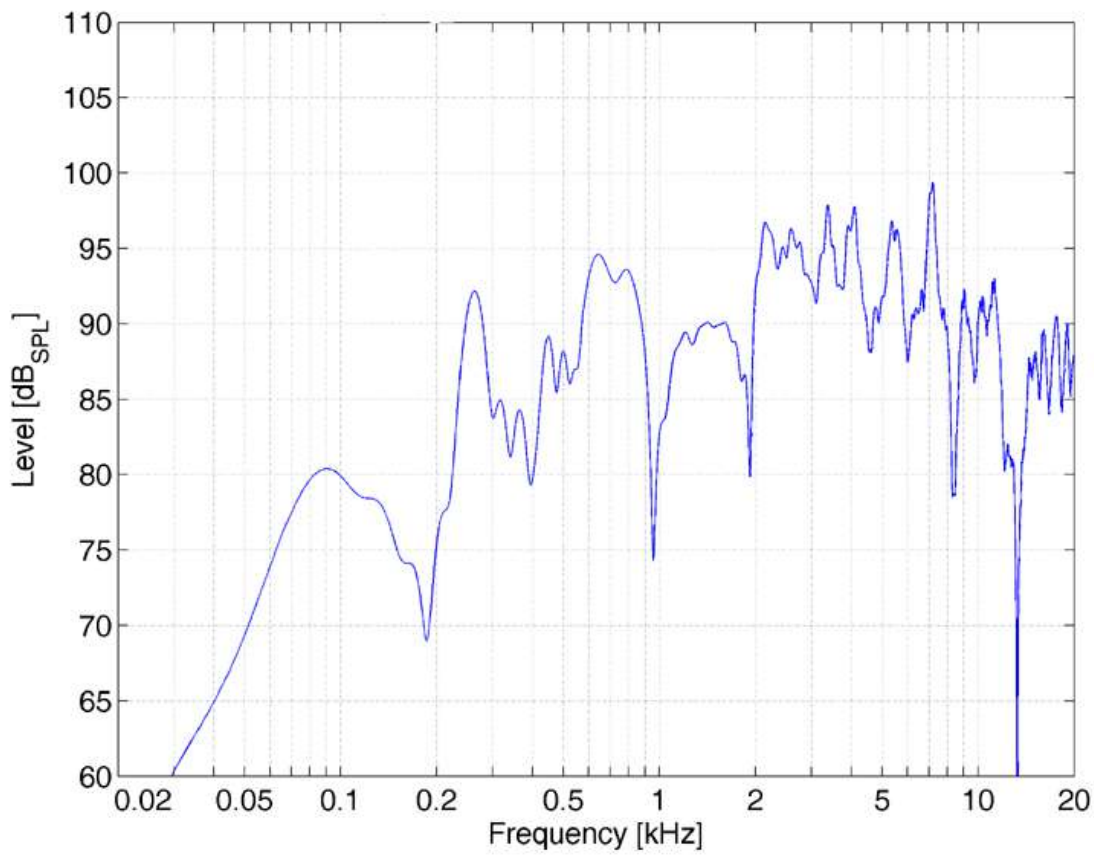
With regard to the variety of materials and manufacturers, we recommend to build in a sample of the speaker to match the requirements accurately.

Polar Diagrams

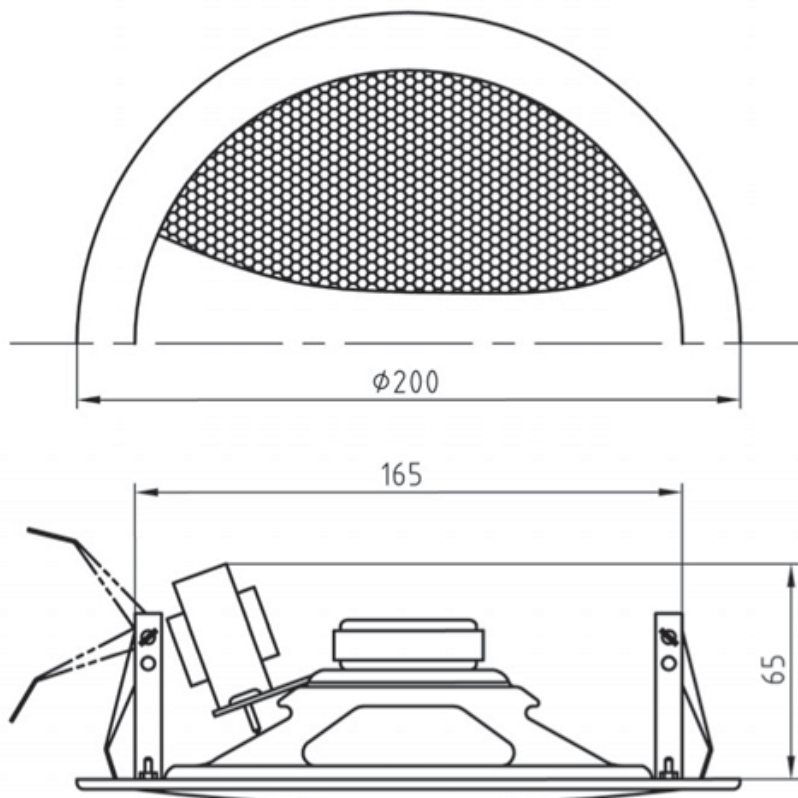
2D Directivity Plot



Frequency Response Diagrams



Technical Diagrams



Electrical specifications

Description	CS-M-10W-165
Power	10/5/2,5 W
Impedance (100V)	1000/2000/4000 ohm
Frequency Range	64 - 21.000 Hz
Frequency Response	55 - 24.000 Hz
SPL 1W/1m, peak	102,2 dB
SPL Pmax/1m, peak	109,0 dB
Sensitivity 1W/1m	99,8 dB
Dispersion -6dB, 500Hz	V 180° H 180°
Dispersion -6dB, 1KHz	V 180° H 180°
Dispersion -6dB, 2KHz	V 145° H 145°
Dispersion -6dB, 4KHz	V 72° H 72°

Please note: Because of many different types of ceiling materials and ceiling strengths we recommend to build in a sample of the speaker to match the requirements accurately.

Mechanical specifications

Dimensions	200x55 mm
Weight (net)	0,60 kg
Temperature range	-10 / +55 °C
Mounting	spring clamp
Connector	4-pin screw terminal
Colour	RAL 9016