

EN
54-24

100V

Fireproof

Features:

- quick mounting
- high-impact ABS plastic
- BS 5839

Description

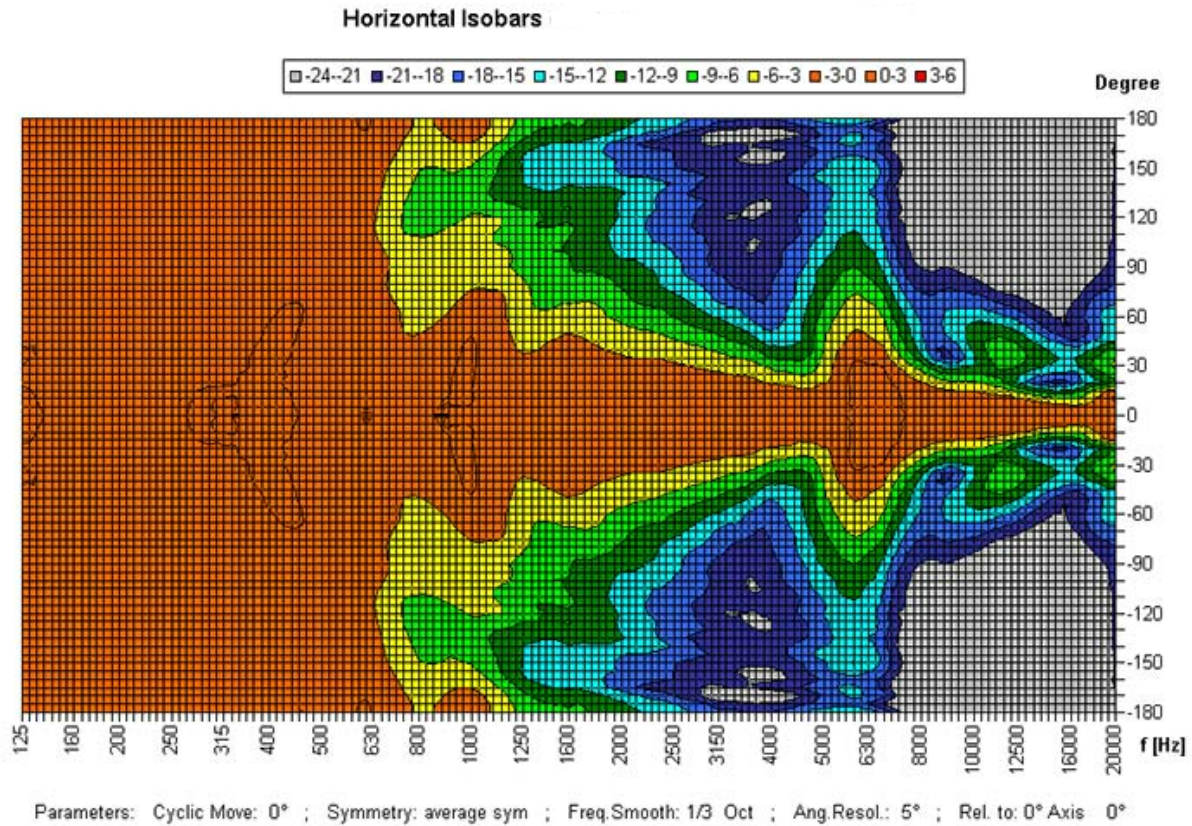
The 20W powered speaker is equipped with a 130mm full-range loudspeaker and a 100V line transformer with 4 power adjustments. A robust ABS plastic housing in white and a solid aluminium mounting bracket ensures the permanent installation of this speaker.

For additional reliability, a 2 pin-ceramic block and a thermal fuse are provided in a junction box and the speaker chassis is impregnated against wetness.

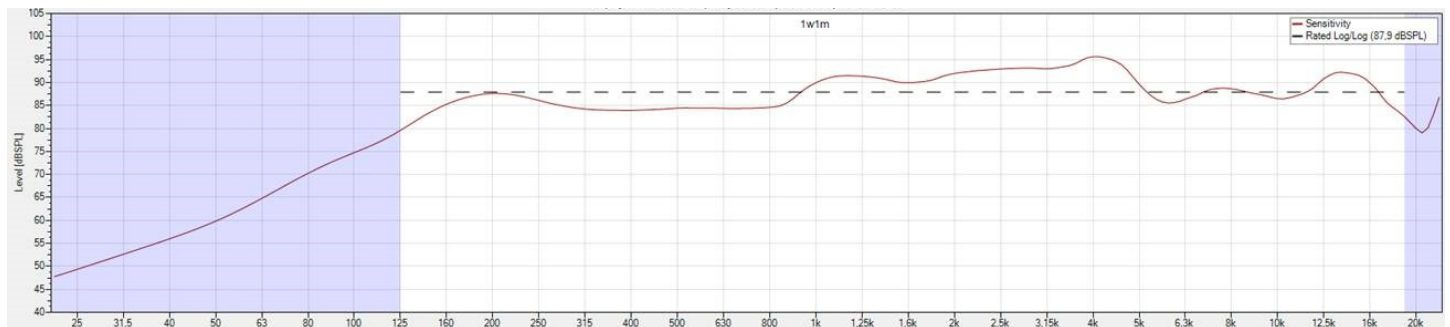
The speaker is compliant with the British Standard BS 5839, Part 8.

Optionally available is a mast bracket (MB) for 90 up to 200mm mast diameter.

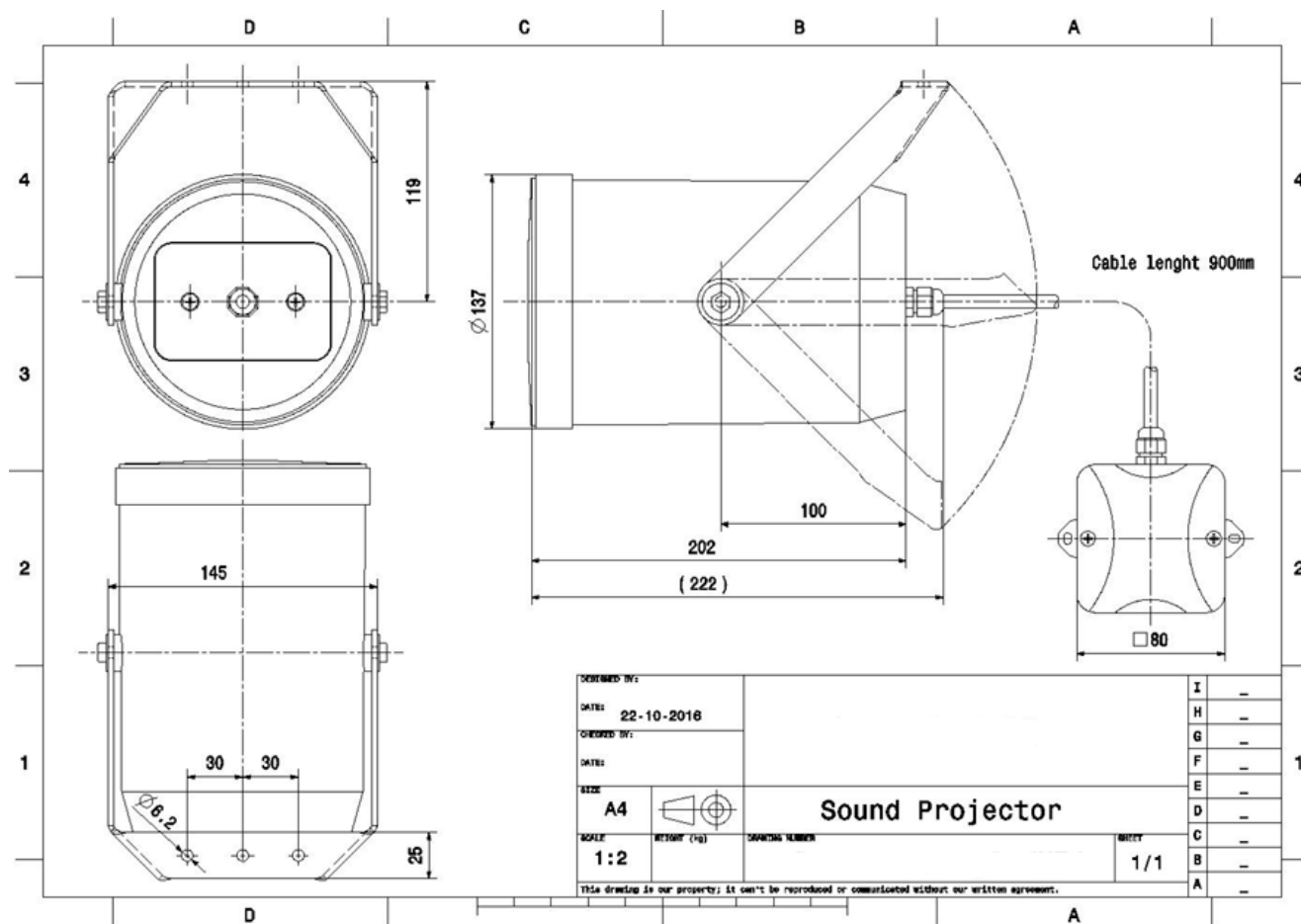
Polar Diagrams



Frequency Response Diagrams



Technical Diagrams



Electrical specifications

Description	SP-P-20W-130/EN
Power	20/10/5/2,5 W
Impedance (100V)	500/1000/2000/4000 ohm
Frequency Range	150 - 20.000 Hz
Frequency Response	120 - 21.000 Hz
SPL, rated noise power / 4m	89,0 dB
Sensitivity EN54-24, 1W/4m	75,0 dB
Sensitivity EN54-24, 1W/1m	87,0 dB
Dispersion -6dB, 500Hz	360°
Dispersion -6dB, 1KHz	230°
Dispersion -6dB, 2KHz	110
Dispersion -6dB, 4KHz	58°

Please note: Because of many different types of ceiling materials and ceiling strengths we recommend to build in a sample of the speaker to match the requirements accurately.

Mechanical specifications

Dimensions	137x 200mm
IP Rating	IP66
Weight (net)	1,44kg
Temperature range	-25 / +70 C°
Mounting	Mounting bracket
Connector	2-pin ceramic block
Maximum cable cross section	8mm ²
Max. cable cross section loop	2x2mm ²
Colour	white