



## CS-M-6W-165

- Quick mounting
- Shock-resistant housing
- Best value for money

## Description

The 6W powered speaker is equipped with a 165mm full-range loudspeaker chassis and a 100V transformer with 3 power adjustments. The powder coated metal similar in RAL 9016 guarantees long-term stability. Quick and easy mounting with spring clamps and short tension distance. The speaker is connected by a 4-pin screw terminal.

Special paint of the speaker in 4-digit RAL- or NCS-colour available at extra cost.

This speaker is suitable for a ceiling strength of about 2 – 42 mm. Our specification is primarily related to solid ceilings, for ceilings with soft materials a higher ceiling thicknesses could be necessary. In addition, stronger cables and other fittings may also result in changes of the appropriate setup. With regard to the variety of materials and manufacturers, we recommend to build in a sample of the speaker to match the requirements accurately.

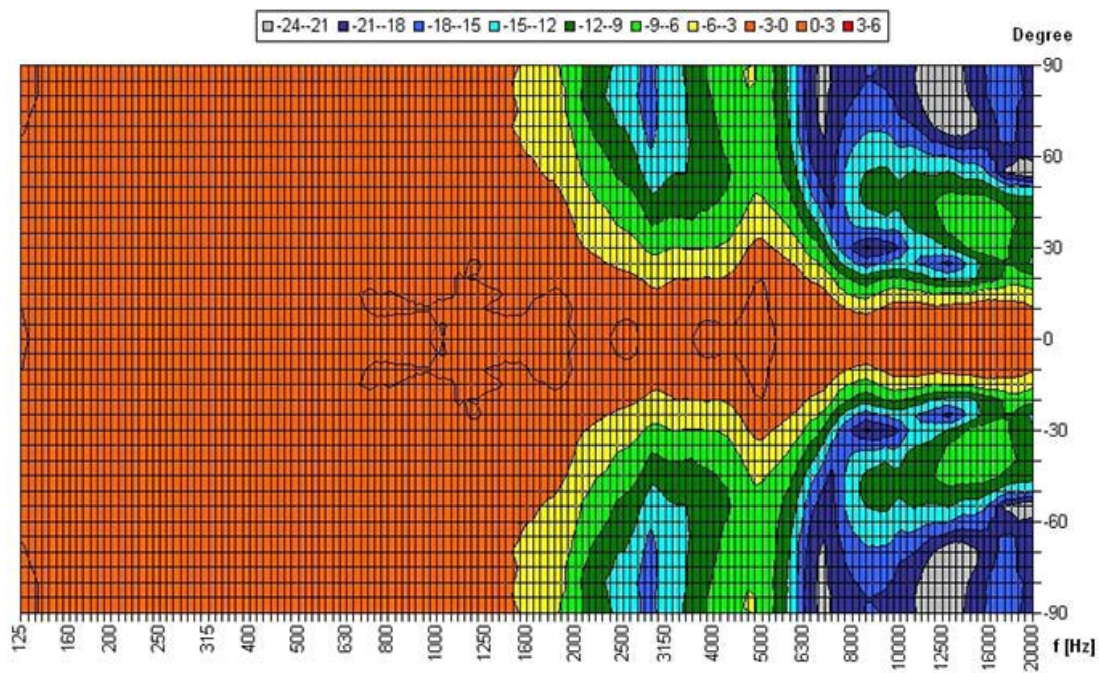
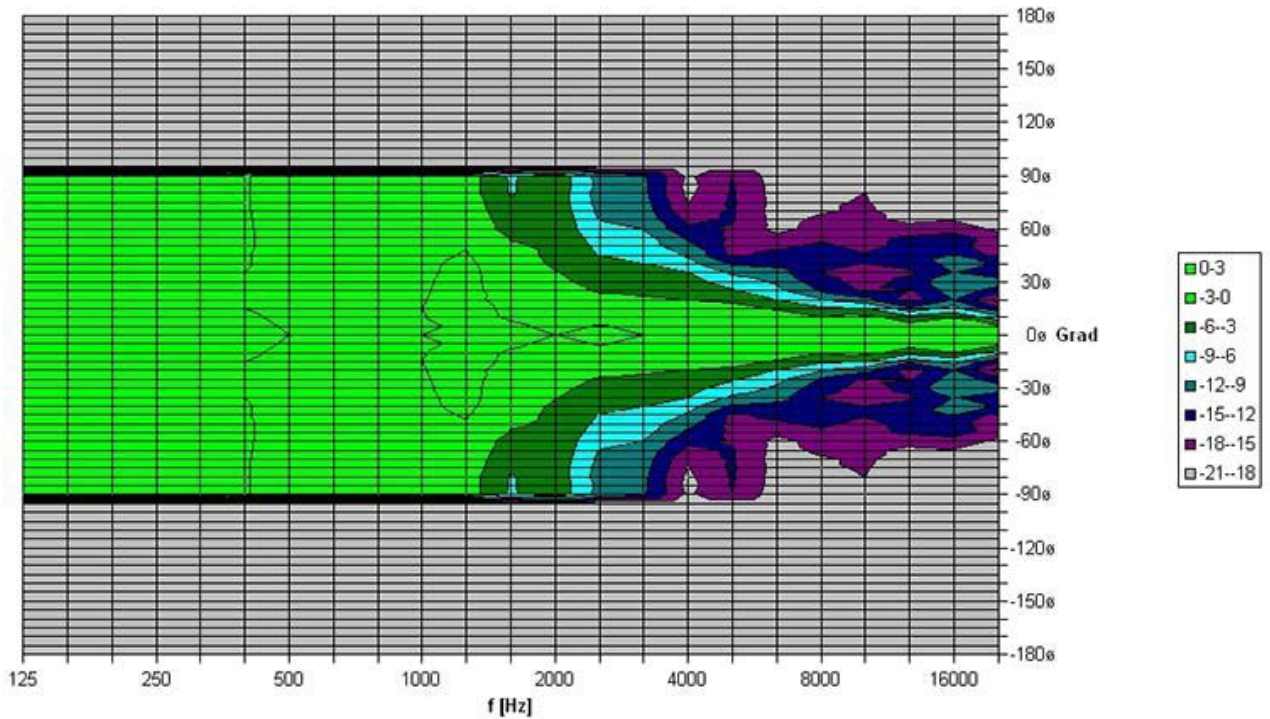
**Technical Data**

<b>Model</b>	CS-M-6W-165
<b>Power</b>	6/3/1,5 W
<b>Frequency Range</b>	64 - 21.000 Hz
<b>Frequency Response</b>	55 - 24.000 Hz
<b>SPL 1W/1m, peak</b>	100,0 dB
<b>SPL Pmax/1m, peak</b>	107,0 dB
<b>Sensitivity 1W/1m</b>	98,8 dB
<b>Dispersion (-10dB)</b>	180° (h) / 180° (v)
<b>Temperature range</b>	-20 / +80 °C
<b>Dimensions</b>	200x55 mm
<b>Weight (net)</b>	0,60 kg
<b>Colour</b>	RAL 9016
<b>Connector</b>	4-pin screw terminal
<b>Mounting</b>	Quick fit mounting
<b>Packing Unit</b>	12
<b>Accessories</b>	FE 165
<b>Ceiling Cut-out</b>	170 mm

Please note: Because of many different types of ceiling materials and ceiling strengths we recommend to build in a sample of the speaker to match the requirements accurately.

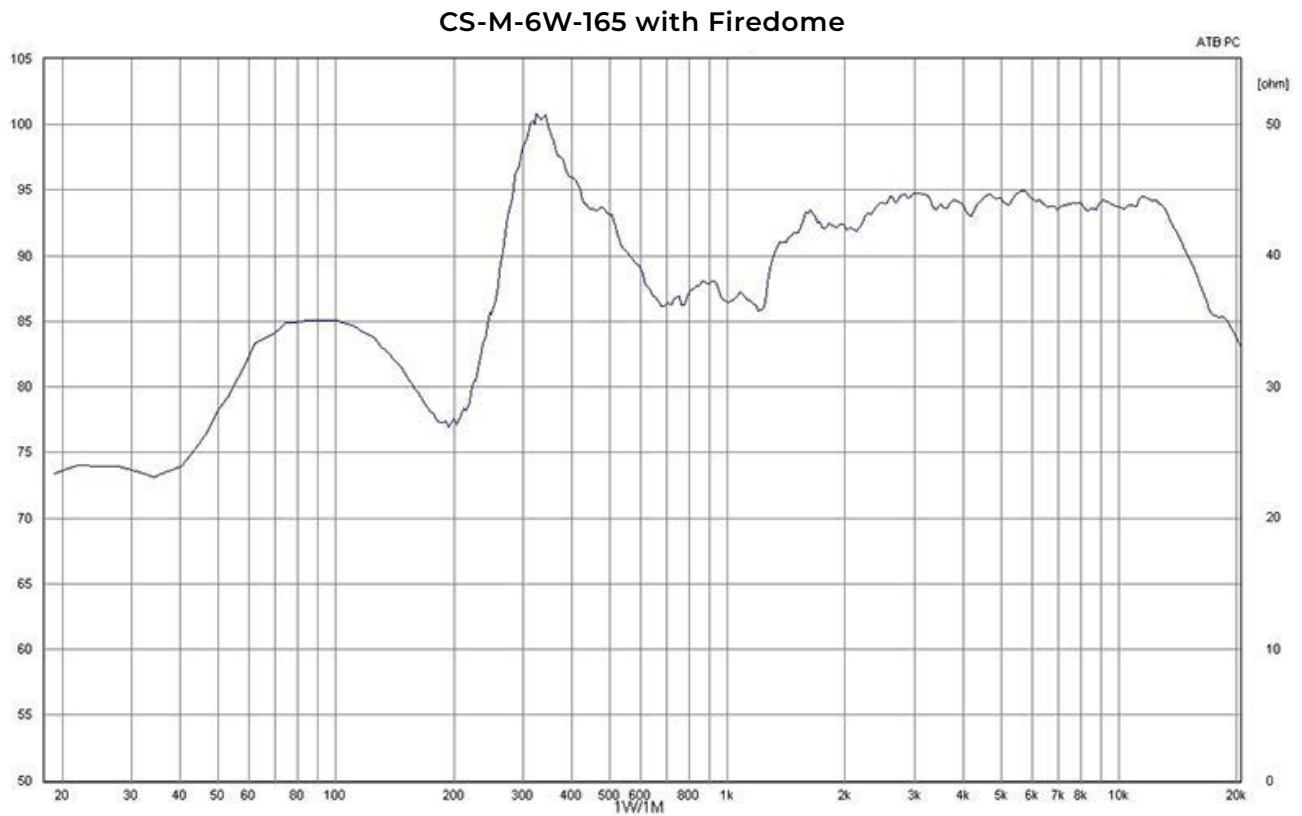
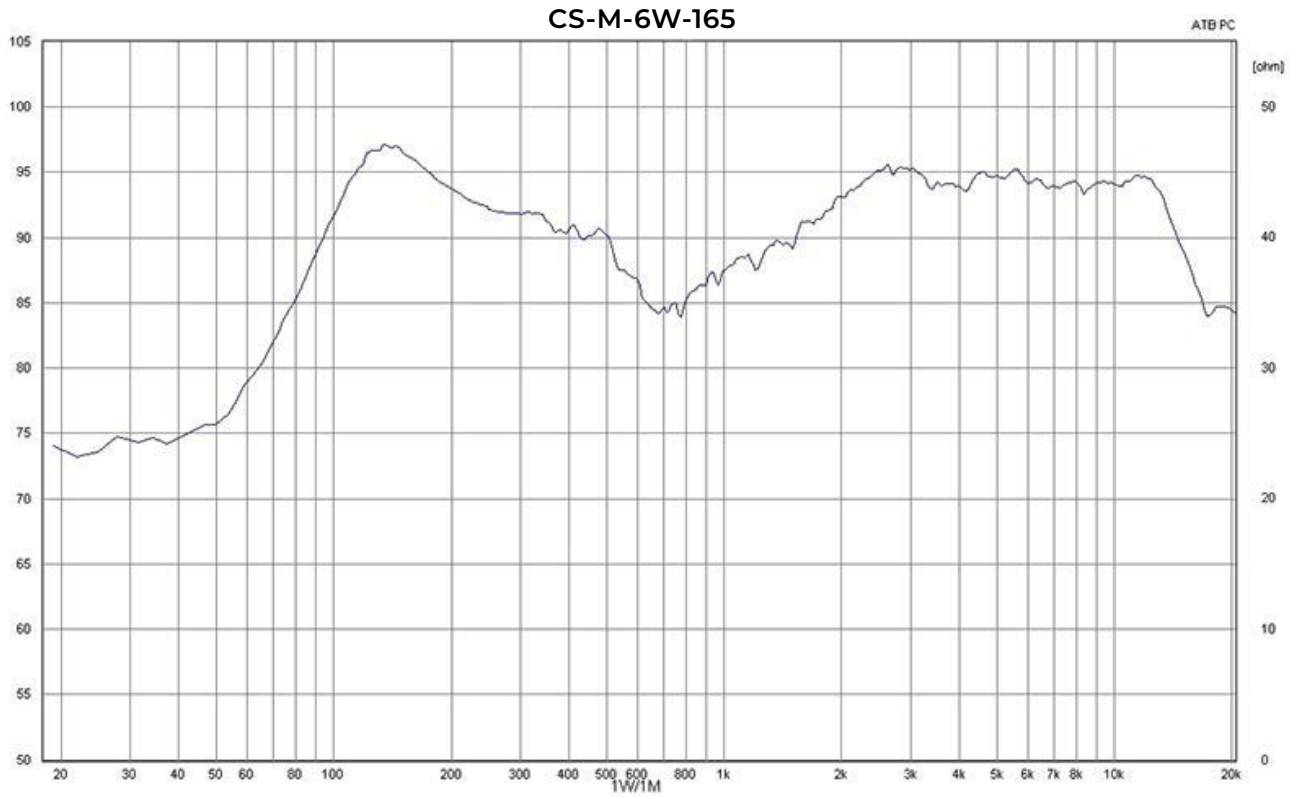
Polar Diagrams

2D Directivity Plot

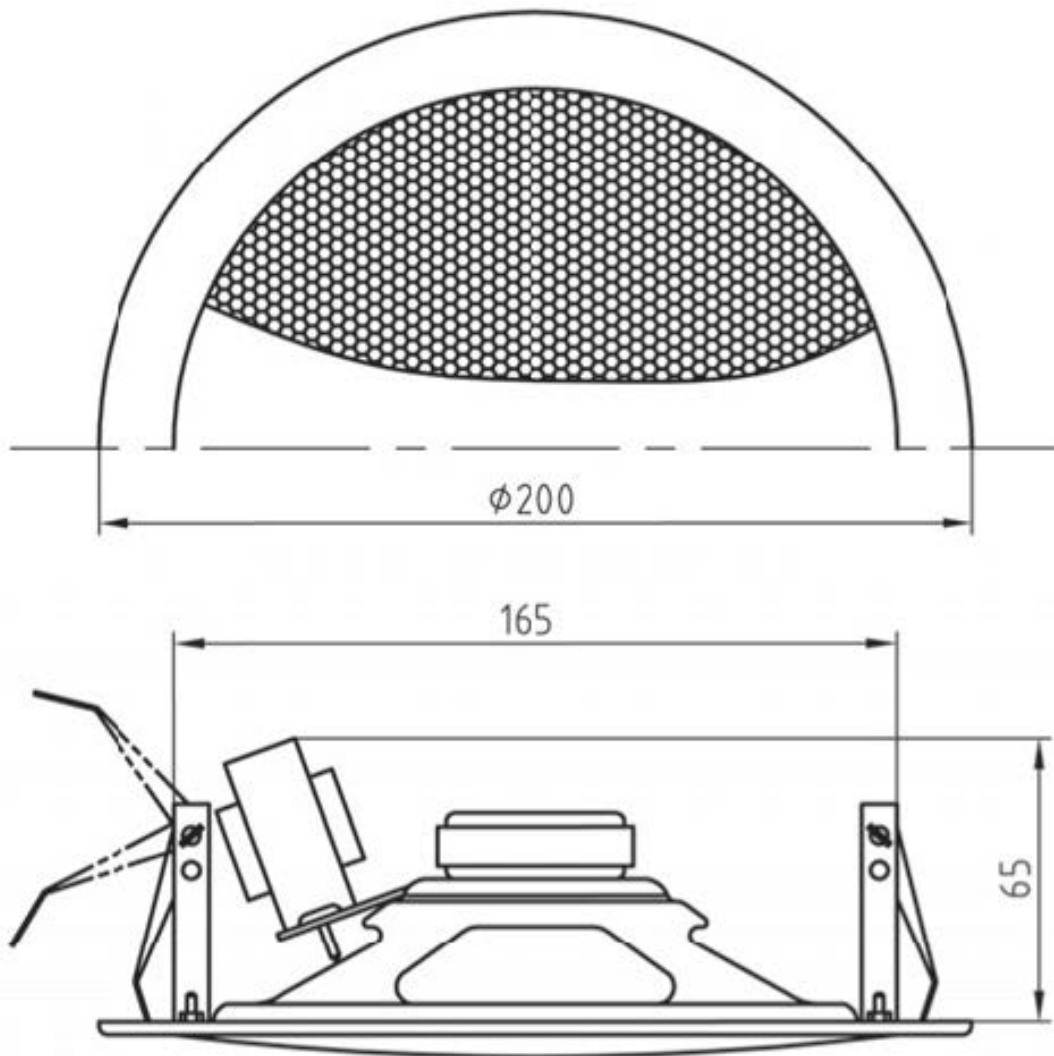


Parameters: Cyclic Move: 0° ; Symmetry: 0..+180 sym ; Freq.Smooth: 1/3 Oct ; Ang.Resol.: 5° ; Rel. to: 0° Axis: 0°

Frequency Response Diagrams



Technical Diagrams



RoHS compliant (2011/65/EU)